



1.888.880.4884

Assembly Instructions

ITEM Number: EWB224-1/EWB225-1/EWB331-1

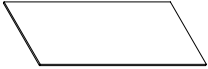
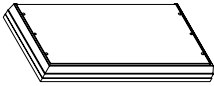
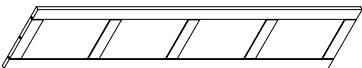




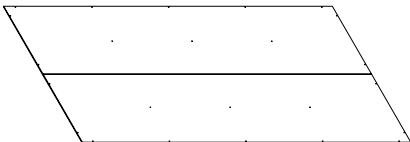
Product Name: 4 Tier Barrister Bookcase







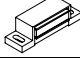

PRE-ASSEMBLY PREPARATION:

Please check all contents of this package before attempting to assemble the product. A full checklist of components is provided. If any components are missing, please contact the retailer from whom you have purchased this product. Read the Assembly Instructions in full before you begin to assemble. Please use CAUTION AND CARE WHEN LIFTING the product to avoid personal injury and/or damage to the product. Two-person assembly is recommended. The hardware packet contains SMALL ITEMS which should be KEPT AWAY FROM CHILDREN.

Assemble only on carpet or soft surface to avoid scratching.

Panel and Fittings Identifications:

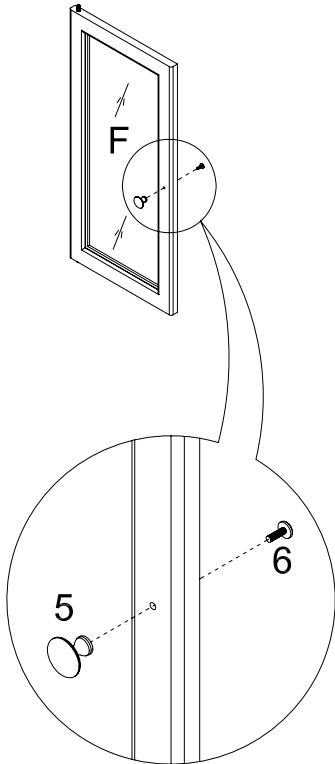
LETTER	PARTS	Q'TY
A Top Panel		1
B Bottom Panel		1
C Side Panel		1
D Side Panel		1
E Top Bar		1
F Door		4
G Middle Panel		3
H Back Panel		1

NUMBER	PARTS	Q'TY
1 Wood Dowel Peg		16
2 Screw		24
3 Cam screw		21
4 Cam lock		21
5 Metal handle		4
6 Screw		4
7 Magnet		8
8 Screw		16

Step By Step Assembly Instructions

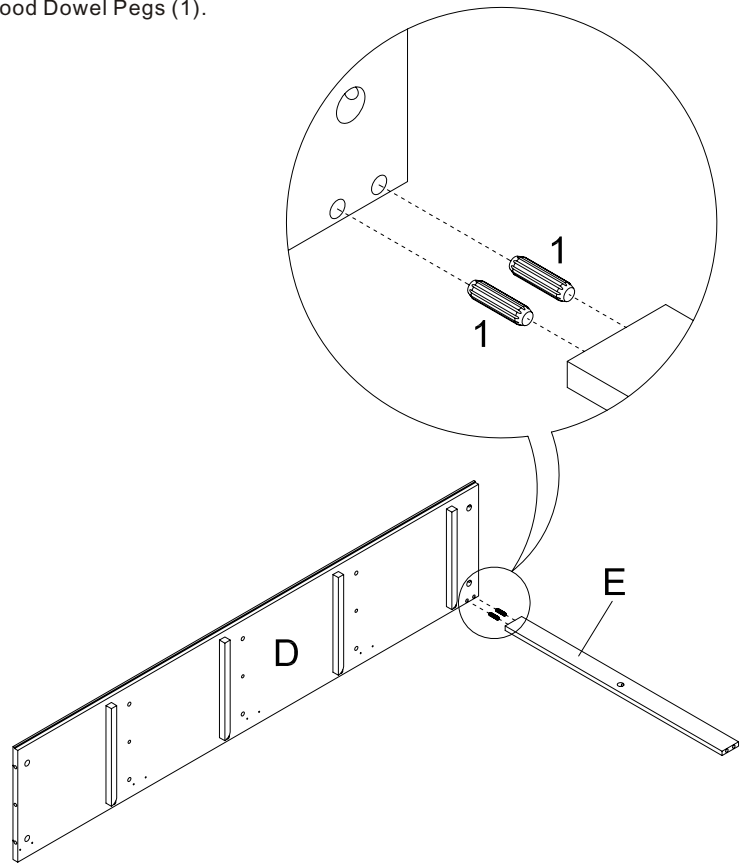
STEP 1

Attach the Metal Hand (5) to the Glass Door (F) by using 1pc Screw (6).
Complete this step for three remaining doors.



STEP 2

Attach the Top Bar (E) to the Side Panel (D) by using 2pcs Wood Dowel Pegs (1).

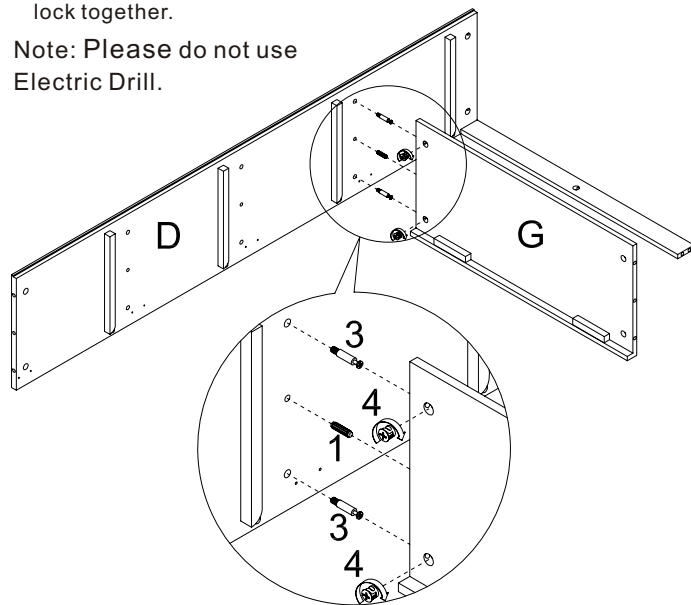
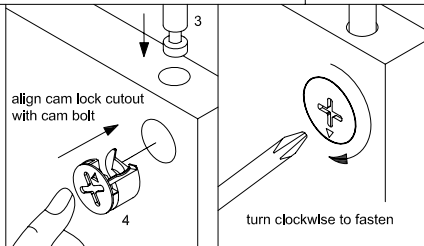


STEP 3

Assemble first Middle Panel (G) to Side Panel (D) by using 1pc Wood Dowel Peg (1) and 2pcs Cam Screws (3) and 2pcs Cam Locks (4).

- 1) Plug Wood Dowel Pegs (1) into hole.
- 2) Plug Cam Locks (3) into hole.
- 3) Align Cam Locks (3) cutout with cam screw
- 4) Turn clockwise until you hear the cam lock & cam screw lock together.

Note: Please do not use Electric Drill.

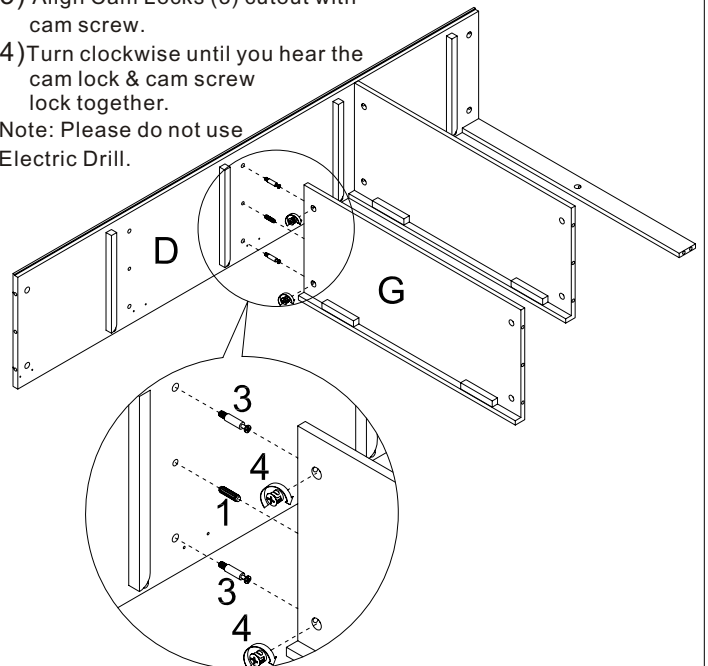
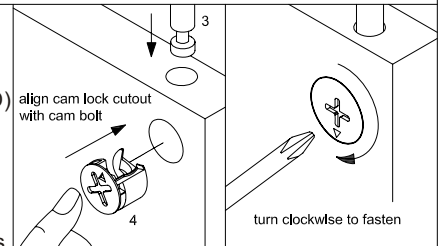


STEP 4

Assemble second Middle Panel (G) to Side Panel (D) by using 1pc Wood Dowel Pegs (1) and 2pcs Cam Screws (3) and 2pcs Cam Locks (4).

- 1) Plug Wood Dowel Pegs (1) into hole.
- 2) Plug Cam Locks (3) into hole.
- 3) Align Cam Locks (3) cutout with cam screw.
- 4) Turn clockwise until you hear the cam lock & cam screw lock together.

Note: Please do not use Electric Drill.

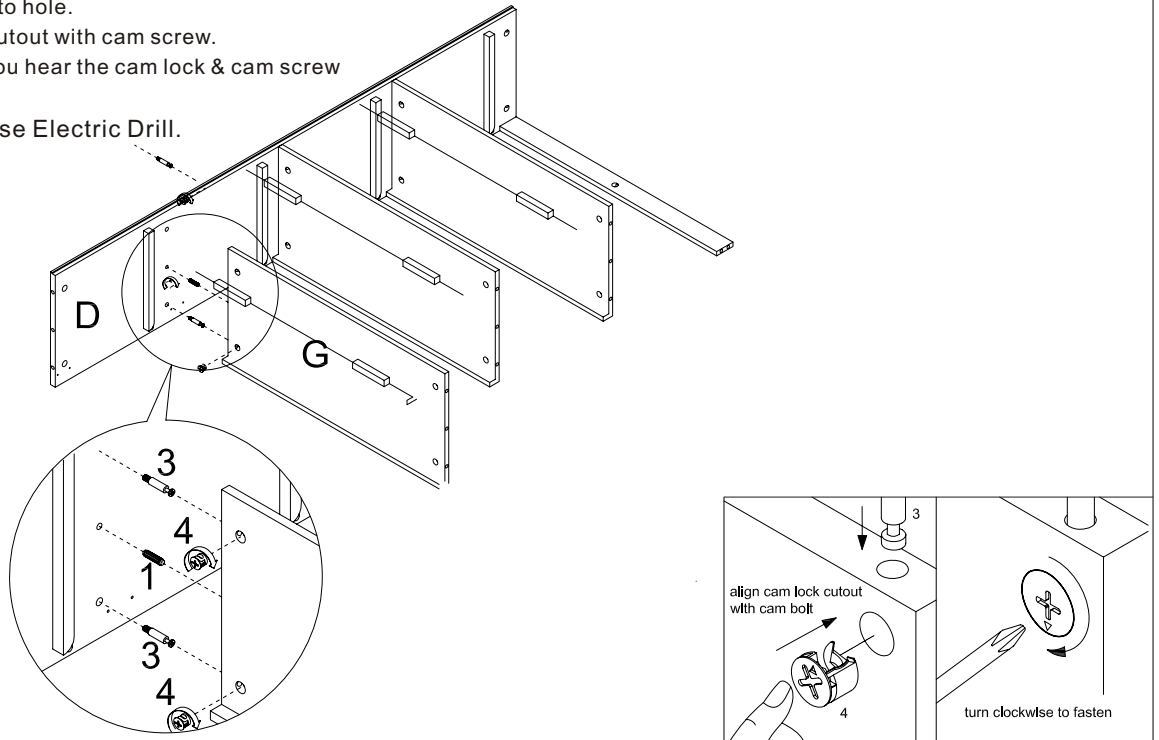


STEP 5

Assemble third Middle Panel (G) to Side Panel (D) by using 1pc Wood Dowel Pegs (1) and 2pcs Cam Screws (3) and 2pcs Cam Locks(4).

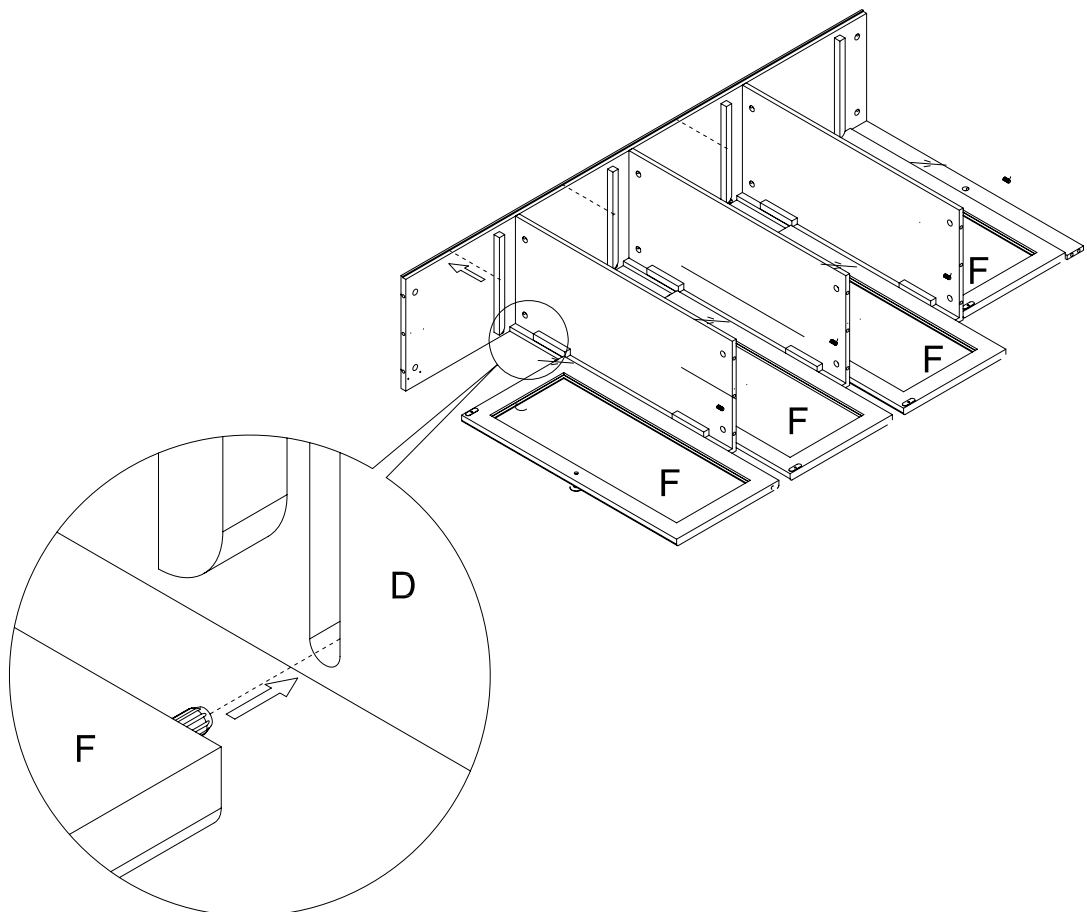
- 1) Plug Wood Dowel Pegs (1) into hole.
- 2) Plug Cam Locks (3) into hole.
- 3) Align Cam Locks (3) cutout with cam screw.
- 4) Turn clockwise until you hear the cam lock & cam screw lock together.

Note: Please do not use Electric Drill.



STEP 6

Put 4pcs Glass Doors flat on the ground make sure the wood dowel pegs on the door are under the bar of the Side Panel.

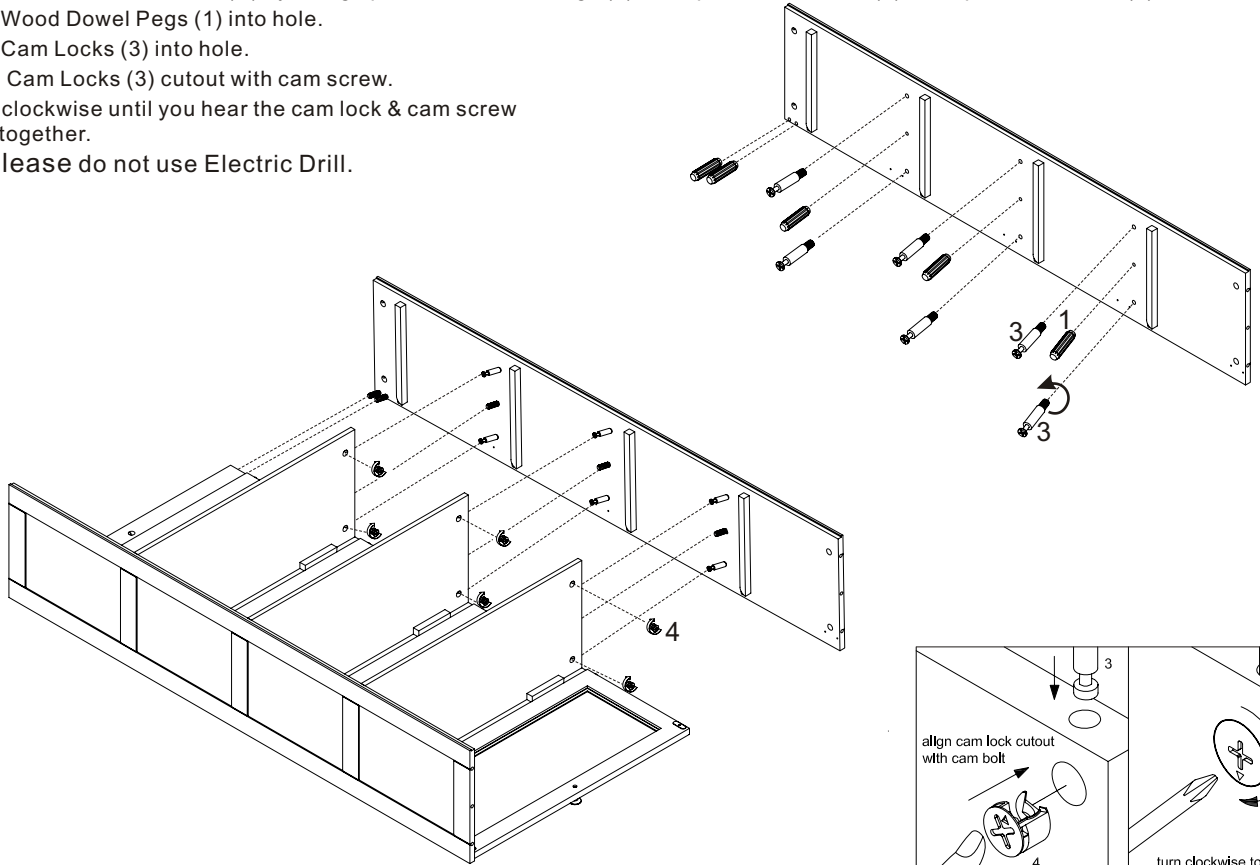


STEP 7

Assemble another Side Panel (C) by using 5pcs Wood Dowel Pegs (1) and 6pcs Cam Screws (3) and 6pcs Cam Locks (4).

- 1) Plug Wood Dowel Pegs (1) into hole.
- 2) Plug Cam Locks (3) into hole.
- 3) Align Cam Locks (3) cutout with cam screw.
- 4) Turn clockwise until you hear the cam lock & cam screw lock together.

Note: Please do not use Electric Drill.

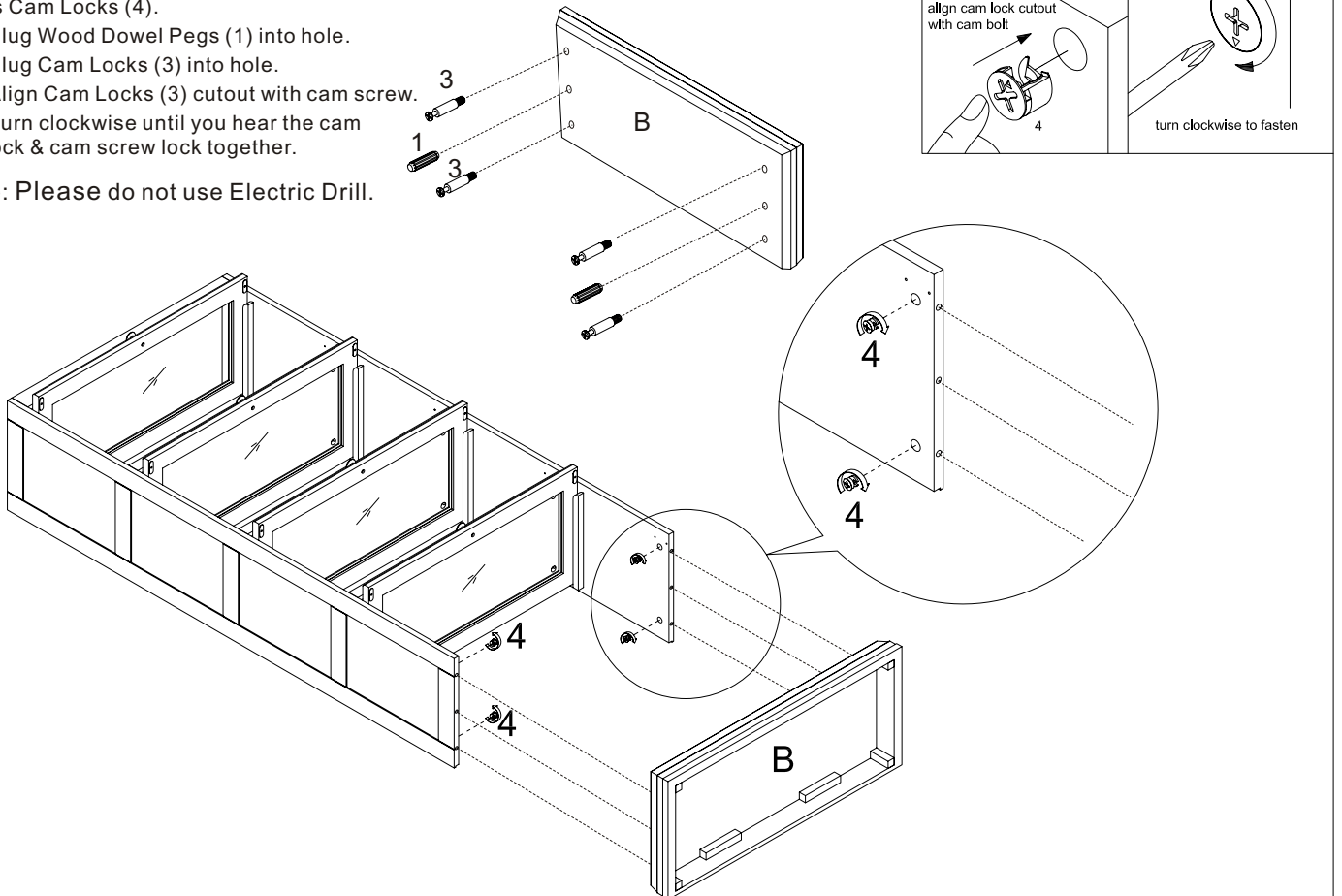


STEP 8

Assemble Bottom Panel (B) by using 2pcs Wood Dowel Pegs (1) and 4pcs Cam Screws (3) and 4pcs Cam Locks (4).

- 1) Plug Wood Dowel Pegs (1) into hole.
- 2) Plug Cam Locks (3) into hole.
- 3) Align Cam Locks (3) cutout with cam screw.
- 4) Turn clockwise until you hear the cam lock & cam screw lock together.

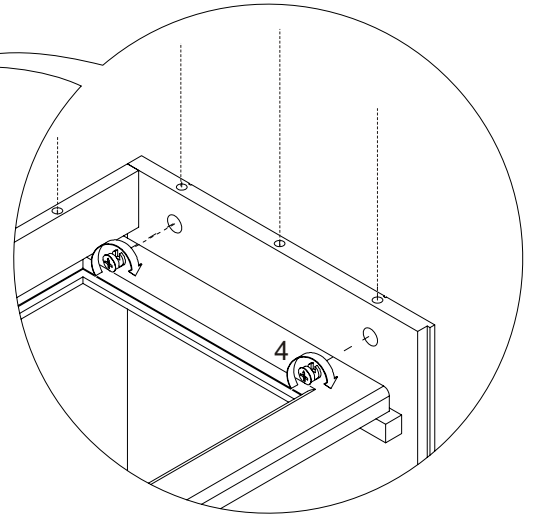
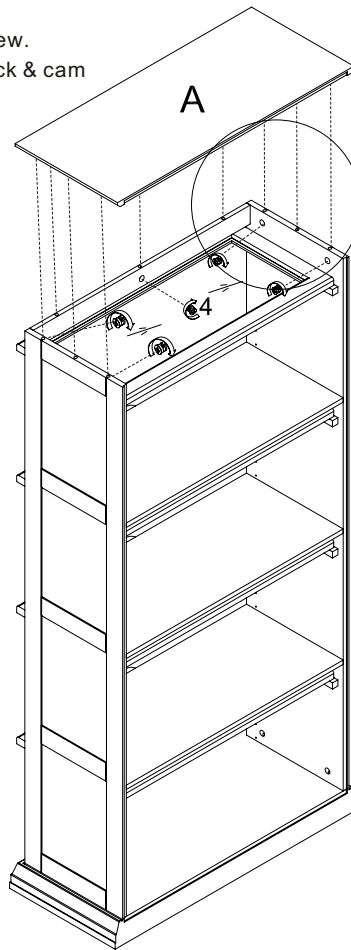
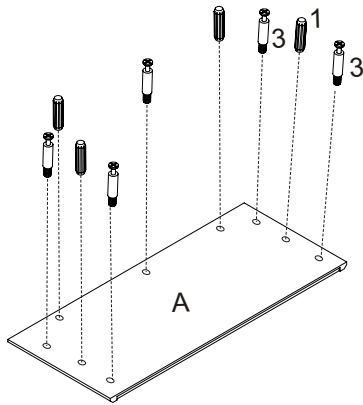
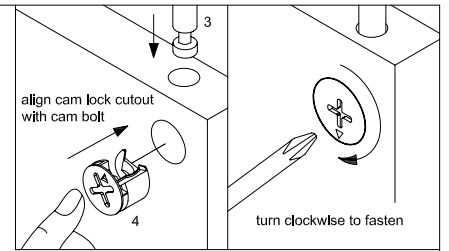
Note: Please do not use Electric Drill.



STEP 9

Upright the bookcase, assemble Top Panel (A) by using 4pcs Wood Dowel Pegs (1) and 5pcs Cam Screws (3) and 5pcs Cam Locks (4).

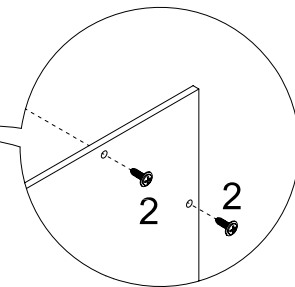
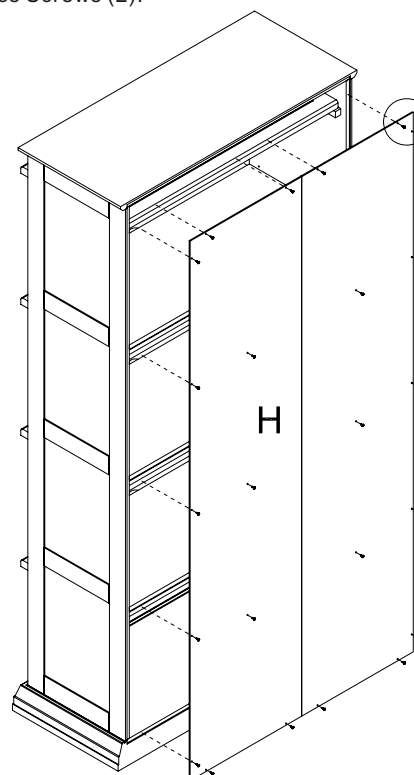
- 1) Plug Wood Dowel Pegs (1) into hole.
- 2) Plug Cam Locks (3) into hole.
- 3) Align Cam Locks (3) cutout with cam screw.
- 4) Turn clockwise until you hear the cam lock & cam screw lock together.



STEP 10

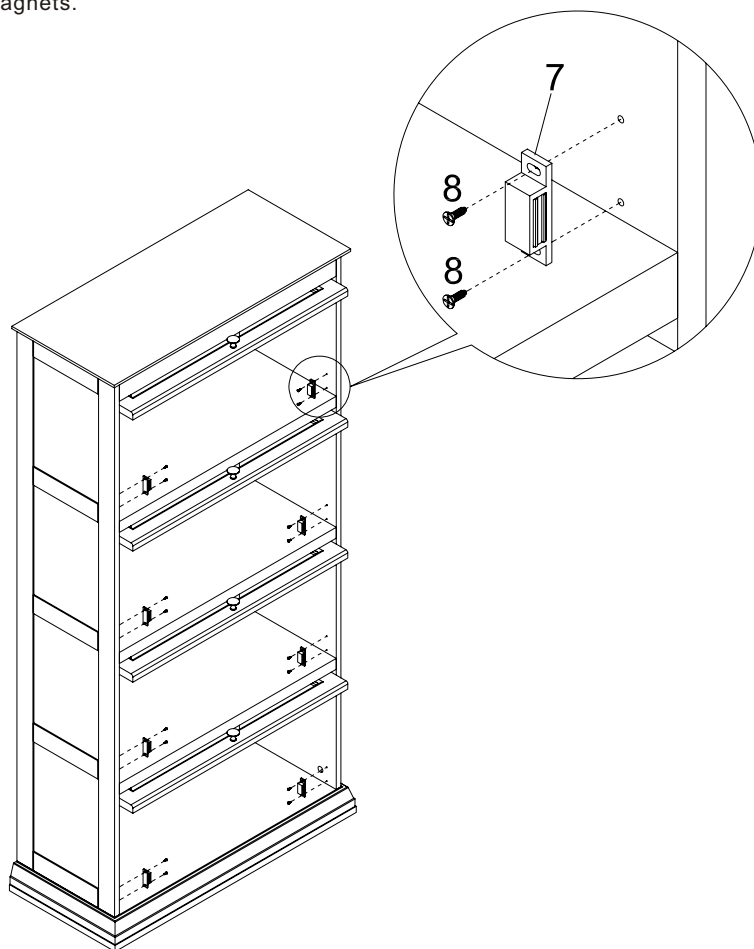
Assemble Back Panel (H) by using 16pcs Screws (2).

Note: You can use Electric Drill.



STEP 11

Attach Magnet (7) to Side Panel of the bookcase by using 2pcs Screws (8).
Complete this step for the 7 remaining magnets.



FINISH

Please adjust the Doors to middle of the bookcase to balance the gap between the door panel and the 2 sides panels after assembling finished.

