

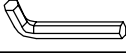
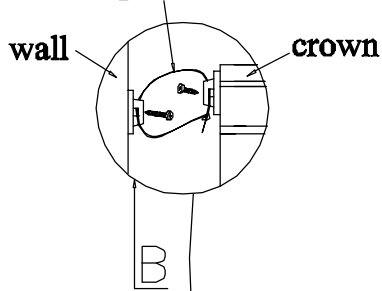


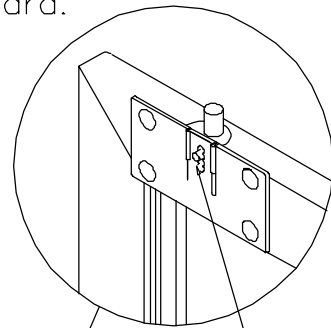
# SETUP INSTRUCTIONS FOR IMMV5275 SLIDING DOOR BOOKCASE

N0:	Hardware List		Q'TY
A		Shelf Pin	16 PCS
B		Anti-Tip Device	1 PC
C		Allen Wrench	1 PC

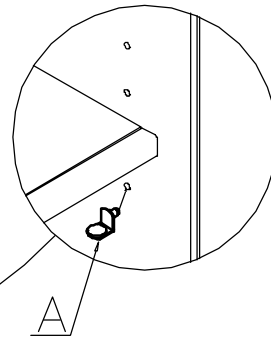
## Anti-Tip Device



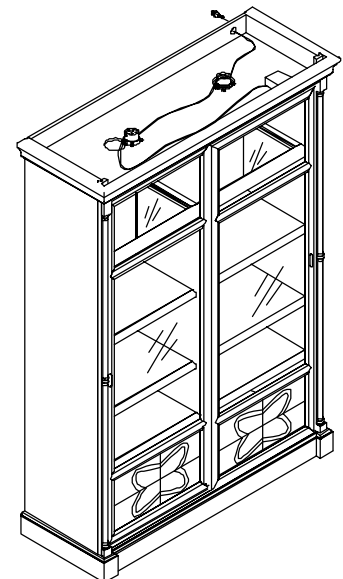
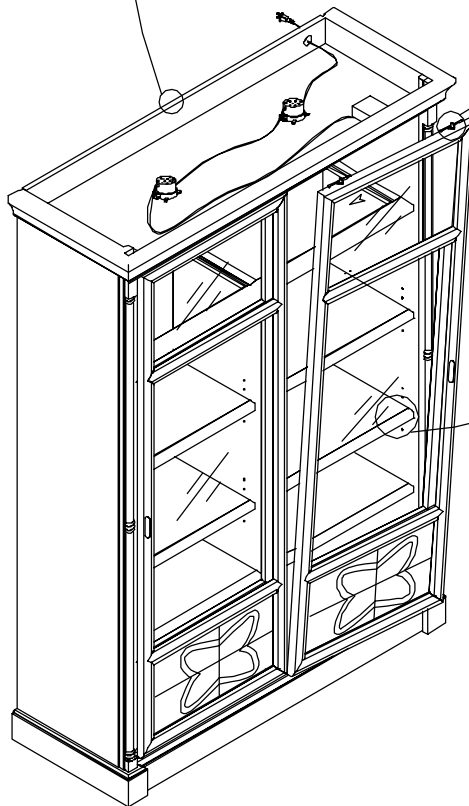
The door can be removed by pressing down on the slide release and pulling the door outward.



Slide-release



A



The upper door railing has an adjustable door stop on each side.

This door stop can be adjusted with the provided allen wrench to control how far either door can slide open.